

L-DALI LDALI-ME204 BACnet DALI Controller

Installation instructions

Instructions de montage

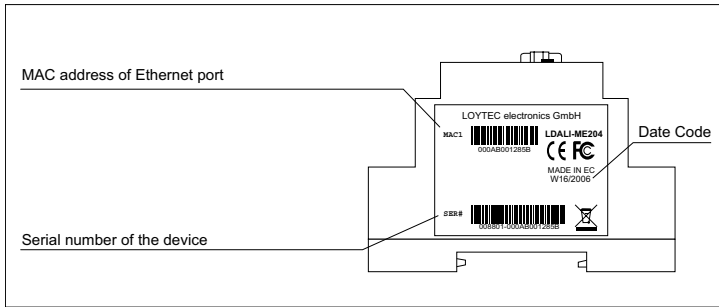
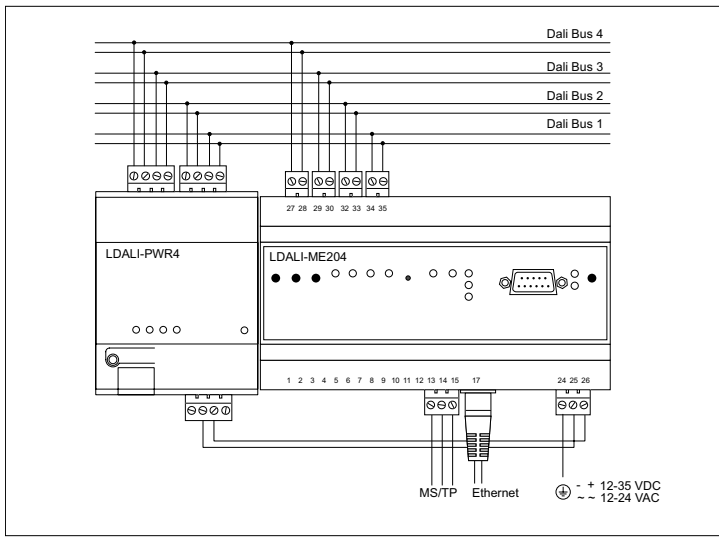
Istruzioni di montaggio

Montageanweisung

Instrucciones de montaje

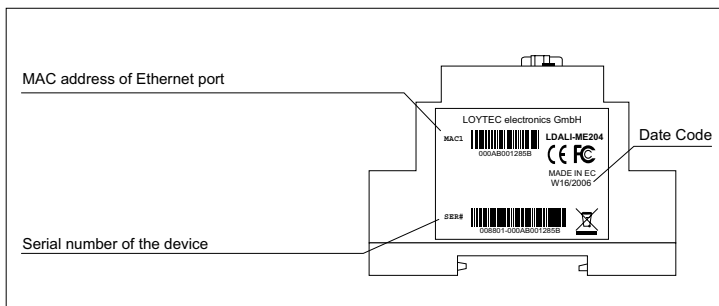
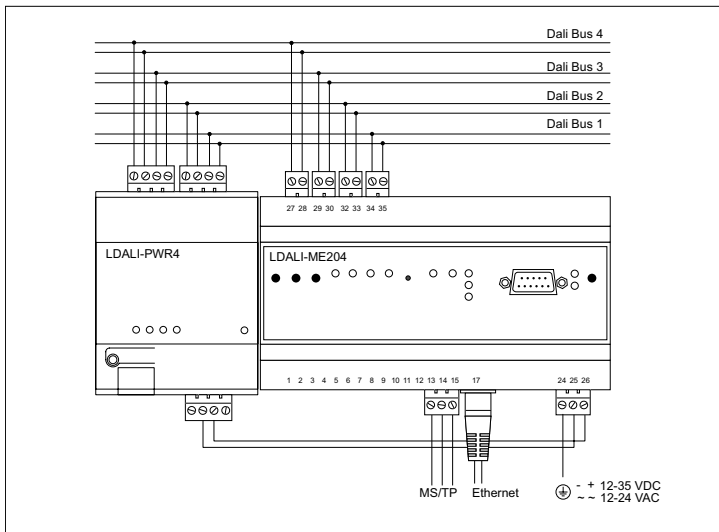
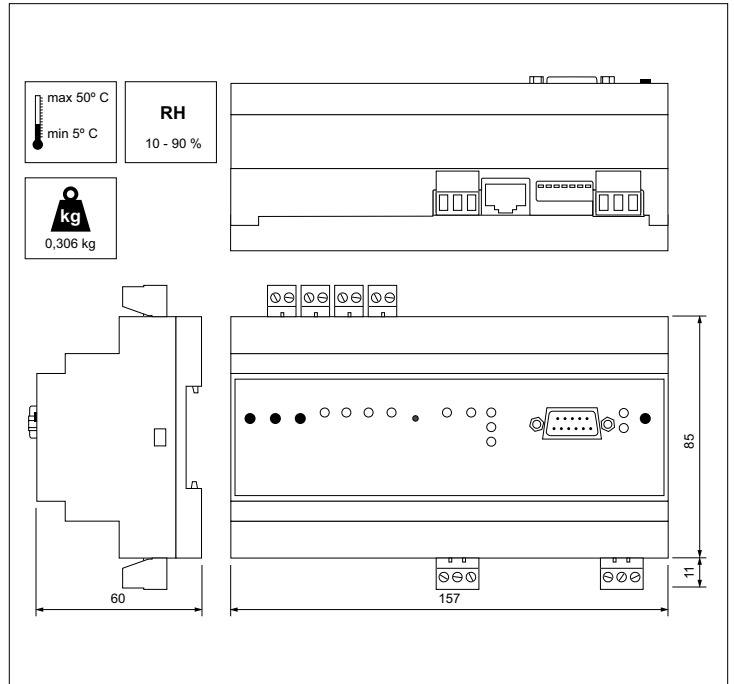
Montagevoorschrift

Monteringsanvisning



Document 88071101
08/2006
Printed in Austria
Data is subject to change

LOYTEC
http://www.loytec.com
support@loytec.com



Document 88071101
08/2006
Printed in Austria
Data is subject to change

LOYTEC
http://www.loytec.com
support@loytec.com

L-DALI LDALI-ME204 BACnet DALI Controller

Installation instructions

Instructions de montage

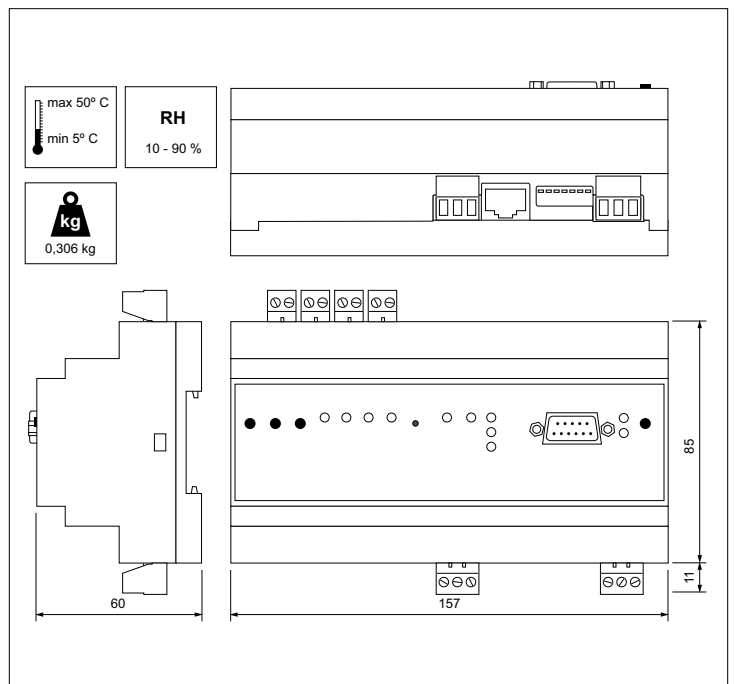
Istruzioni di montaggio

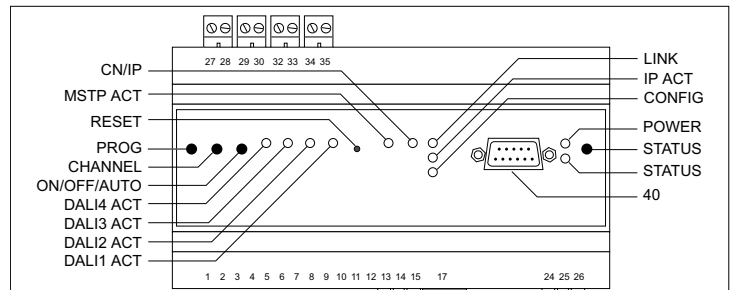
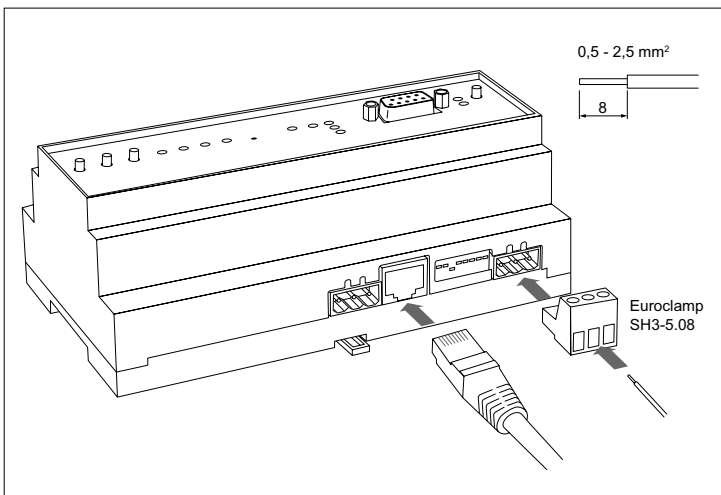
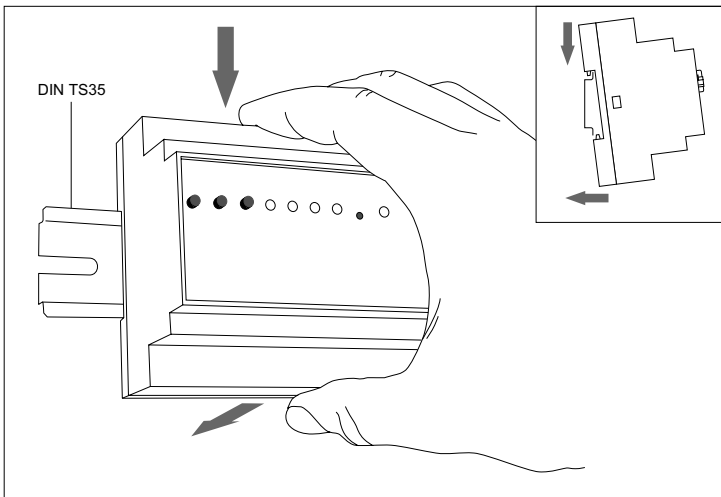
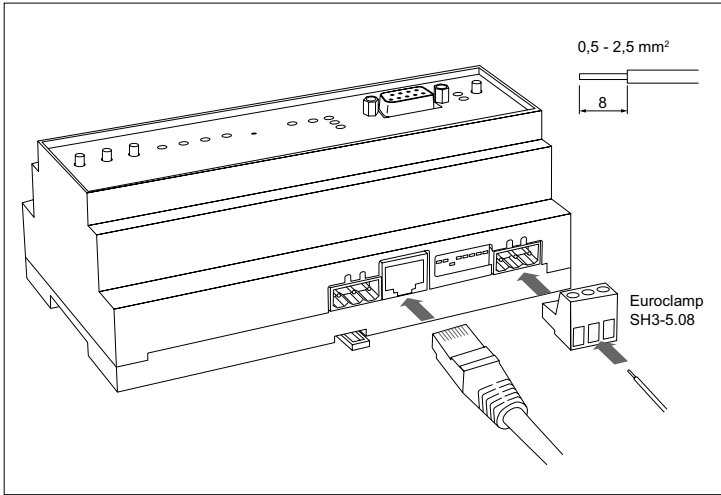
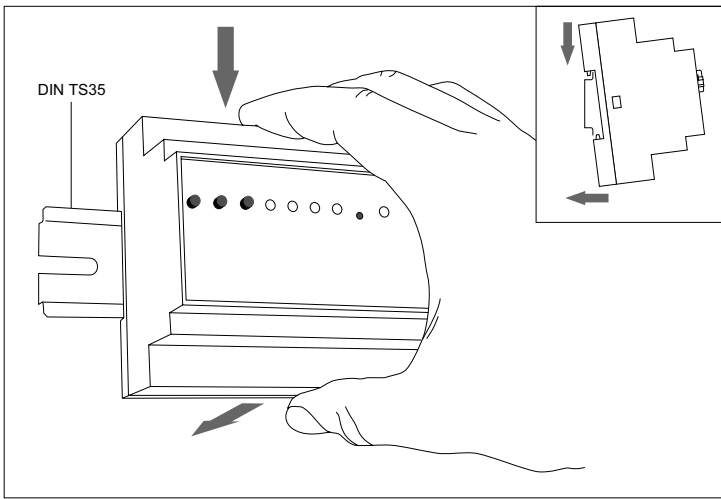
Montageanweisung

Instrucciones de montaje

Montagevoorschrift

Monteringsanvisning



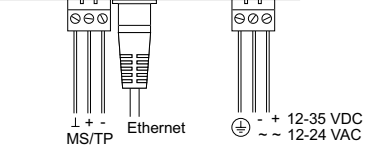


Connectors

- 13 BACnet MS/TP Reference
- 14 BACnet MS/TP Non-Inverting Input
- 15 BACnet MS/TP Inverting Input
- 17 Ethernet 10/100 Base T (RJ45)
- 24 Power supply input EARTH GND
- 25 Power supply input MINUS
- 26 Power supply input PLUS
- ⚠ Do not connect to EARTH GND
- 27 DALI Channel 4
- 28 DALI Channel 4
- 29 DALI Channel 3
- 30 DALI Channel 3
- 32 DALI Channel 2
- 33 DALI Channel 2
- 34 DALI Channel 1
- 35 DALI Channel 1
- 40 RS-232 interface (DB9 male)

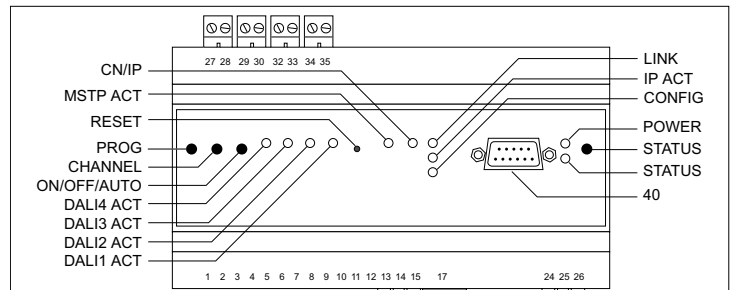
Buttons

PROG	
press	Replace a broken ballast
CHANNEL	
default	All channels selected
press 1x	Channel 1 selected
press 2x	Channel 2 selected
press 3x	Channel 3 selected
press 4x	Channel 4 selected
ON/OFF/AUTO	
press 1x	Switch all DALI devices on
press 2x	Switch all DALI devices off
press 3x	Auto mode
STATUS	
press	Send BACnet "I AM" msg.



Status LEDs

DALI1 ACT, DALI2 ACT, DALI3 ACT, DALI4 ACT	
GREEN flashing	Traffic
RED flashing fast	Traffic with errors
RED permanent	No bus power-supply/ bus-power supply failed
ORANGE permanent	Override to all off or interface is selected
GREEN permanent	Override to all on
MS/TP ACT	
GREEN flashing	Traffic on BACnet MS/TP port
CN/IP	
GREEN flashing	Traffic on BACnet IP port
LINK	
GREEN	Ethernet link
IP ACT	
GREEN flashing	Ethernet traffic
CONFIG	
-	-
POWER	
GREEN	Power
STATUS	
OFF	Normal operation

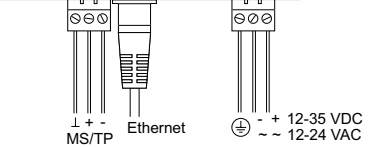


Connectors

- 13 BACnet MS/TP Reference
- 14 BACnet MS/TP Non-Inverting Input
- 15 BACnet MS/TP Inverting Input
- 17 Ethernet 10/100 Base T (RJ45)
- 24 Power supply input EARTH GND
- 25 Power supply input MINUS
- 26 Power supply input PLUS
- ⚠ Do not connect to EARTH GND
- 27 DALI Channel 4
- 28 DALI Channel 4
- 29 DALI Channel 3
- 30 DALI Channel 3
- 32 DALI Channel 2
- 33 DALI Channel 2
- 34 DALI Channel 1
- 35 DALI Channel 1
- 40 RS-232 interface (DB9 male)

Buttons

PROG	
press	Replace a broken ballast
CHANNEL	
default	All channels selected
press 1x	Channel 1 selected
press 2x	Channel 2 selected
press 3x	Channel 3 selected
press 4x	Channel 4 selected
ON/OFF/AUTO	
press 1x	Switch all DALI devices on
press 2x	Switch all DALI devices off
press 3x	Auto mode
STATUS	
press	Send BACnet "I AM" msg.



Status LEDs

DALI1 ACT, DALI2 ACT, DALI3 ACT, DALI4 ACT	
GREEN flashing	Traffic
RED flashing fast	Traffic with errors
RED permanent	No bus power-supply/ bus-power supply failed
ORANGE permanent	Override to all off or interface is selected
GREEN permanent	Override to all on
MS/TP ACT	
GREEN flashing	Traffic on BACnet MS/TP port
CN/IP	
GREEN flashing	Traffic on BACnet IP port
LINK	
GREEN	Ethernet link
IP ACT	
GREEN flashing	Ethernet traffic
CONFIG	
-	-
POWER	
GREEN	Power
STATUS	
OFF	Normal operation