

Image



Product description

The lumina SA8 switching actuator is designed for connection to the R-Series controller (order no.: 121 100 C). The maximum switching capacity for each channel is 10A. The switching channels allow greater peak making currents and are therefore suitable for operating electronic control gears. There are separate supply cables for every two channels.

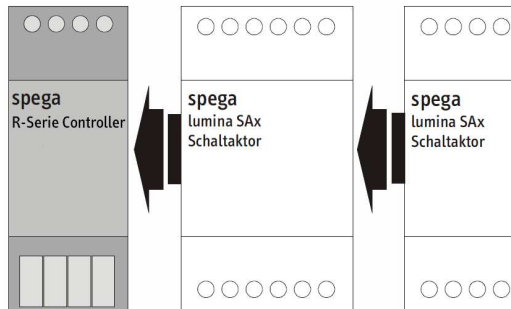
The switching actuator can be operated in conjunction with other e.control actuators for lighting or sunblinds, up to a total of 16 channels, together on one controller.

In the SA8-b version, the actuator has a manual control level, allowing the device to be switched on or off independently of the bus, as well as LEDs for indicating the output state.

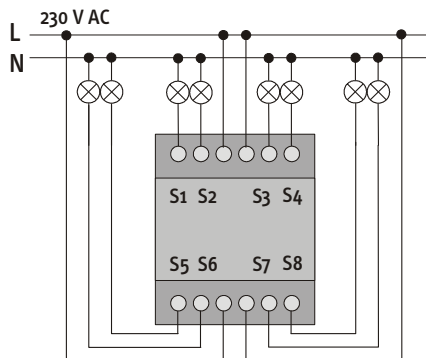
For configuration purposes, an easy LNS plug-in is available for the controller.

Terminal diagram

Connection to controller



Input/output connections



spega Order information

Order number	Description
120 108	lumina SA8 Switching actuator 8 x 10 A
120 109	lumina SA8-b Switching actuator 4 x 10 A with manual control level
121 100 C	R-Series Controller for operating the actuator at the LON network, max. 16 channels

Assembly instructions

- 1 Install on a DIN EN50022 rail, width 4 TE
- 2 The connection interface is located on the left-hand side of the housing. The actuator must only be operated with a spega e.control controller. Please note the maximum space available on the DIN rail.
- 3 Note: When switching off inductive loads at the actuators (e.g. contactors or motors), high-frequency disturbing pulses may occur which could affect the operability of the bus device. It is therefore recommended that the outputs be connected using appropriate RC elements. Please refer to the manufacturer's instructions for details.



Electrical devices must be assembled and installed by trained personnel only.



Please observe local standards, guidelines and regulations when planning and installing electrical devices.



The device specifications given in this document must be adhered to.

Operation

lumina SA8:

No control and display elements

lumina SA8-b:

Each channel can be switched on or off manually using a rotary switch installed on the front. The third switch position is used for enabling the channel for activation via the controller.

Each channel has an LED for indicating the position of the relay (On = LED pickup).

Technical data

Power supply

Operating voltage 24V DC (18...27V DC)
via spega controller
max. 160mA (3840mW)

Current input

Inputs/outputs

Actuator interface R-Series controller interface compatible

Switching outputs

8 floating relay outputs, switching capacity 10A / 250V, high starting currents are permissible (120A / <20ms)

Switching capacities (applicable to >10⁴ cycles of operation)

3.000 W filament lamps
1.000 W fluorescent lamps, corrected, cos φ = 1
1.700 W HV-halogen lamps

Connections

Actuator interface integrated 14-pin socket

Analog/switching outputs

12 x 1pin screw terminal
Ø up to 4mm²

Control elements

Service pushbuttons
Other

lumina SA8-b:
3-step rotary switch for each channel with „On“, „Off“ and „Bus“ positions

Display elements

Service-LED
Other

lumina SA8-b:
Output state LED –
ON: relay pickup
OFF: relay dropout

Housing

Type of Protection
Dimensions

IP 20 (DIN 40050 / IEC 144)
85 (45) x 70 x 60 (H x W x D) – corresponds to 4 modular spacings
Standard distribution, 35mm-mounting rail

Type/location of installation

Ambient conditions

Operating temperature
Storage temperature
Transportation temperature
Rel. humidity
Installation height

-5°C ... +45°C
-25°C ... +55°C
-25°C ... +70°C
5% ...93% (without condensation)
up to 2000 m above sea level

Safety

Electrical isolation
Class of protection

SELV (EN 60 950)
I (IEC 536 / VDE 106 part 1)

Standards/guidelines

Device safety
Immunity
Certification

acc. to EN 50 090-2-2
acc. to EN 50 090-2-2
CE