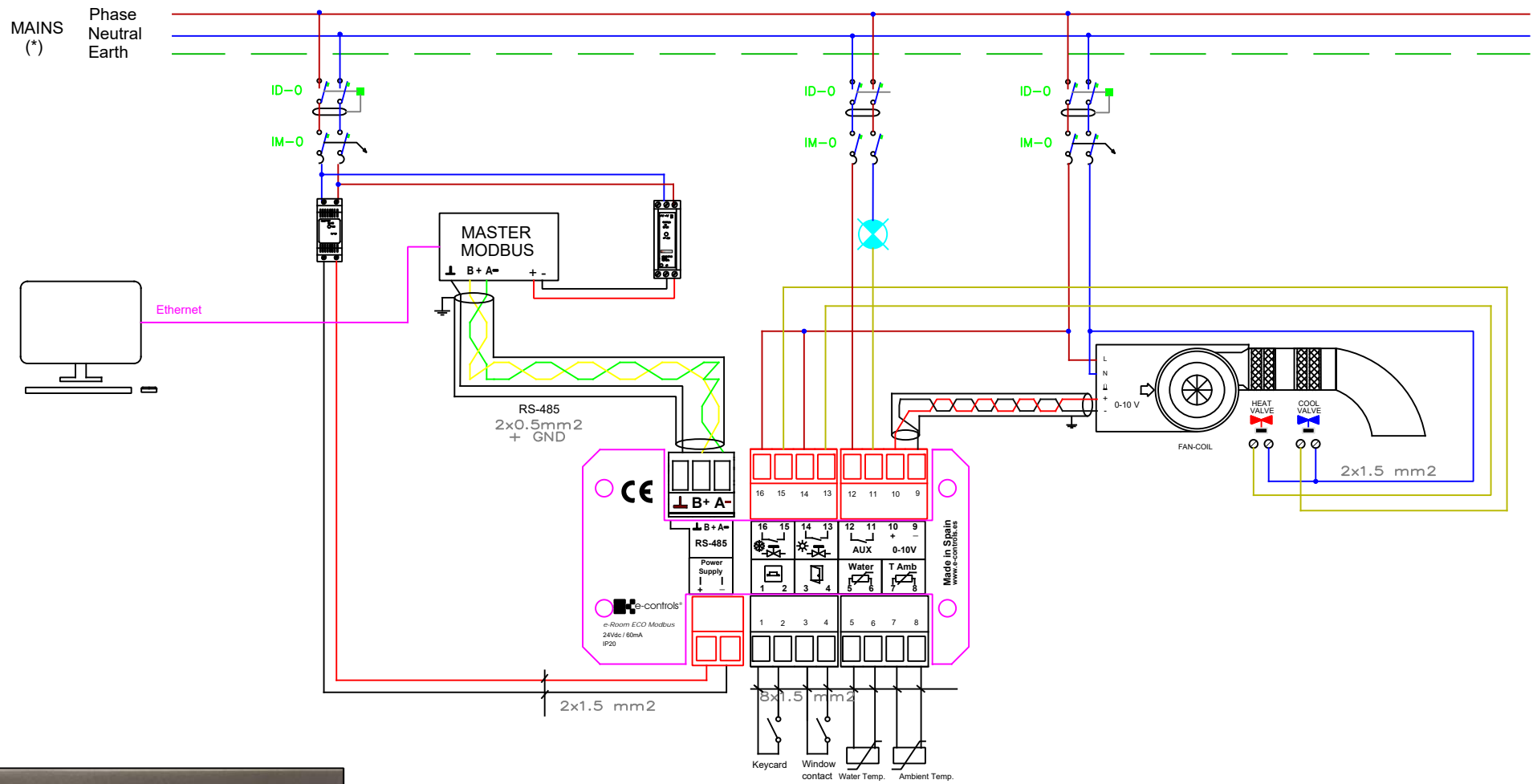


Product name: e-Room ECO Modbus

Esquema de instalación para configuración 4 tubos y salida auxiliar para control de iluminación

Model number: RC.674421-000

Wiring diagram for 4 pipes installation and courtesy light contact



Herein is defined a functional diagram. It shall be the responsibility of installer to protect properly the installation in accordance with applicable regulations of each country.

Title	No	Description	Date
Wiring e-Room ECO Modbus	1		
Description: Wiring e-Room ECO Modbus	2		
Project:	3		
Code: RC.674421-000	4		
File name: RC.674421-000 e-Room ECO Modbus	5		
Size: A3	Version: 1	Revision: 0	6
Drawn: AEK	Date: 03/04/20	Sign:	Units: mm
Revised: RFH	Date: 03/04/20	Sign:	Tol.: ± 0,2 mm
Approved:RFH	Date: 03/04/20	Sign:	Scale: 1:1
			Sheet: 1 / 1



Electronic Intelligent Controls, S.L.
 C. Murcia, 35 - F
 08830 Sant Boi de Llobregat
 Tel. +34 93 652 55 21
 Fax +34 93 652 55 22
 www.e-controls.es
 info@e-controls.es