

Features

- ◆ Routes packets between BACnet MS/TP and BACnet/IP
- ◆ Fully compliant with ASHRAE 135-2004 and ISO 16484-5 standards
- ◆ BBMD (BACnet Broadcast Management Device) support
- ◆ Foreign device support
- ◆ Configuration via built-in Web server or serial port
- ◆ Provides statistics information via Web interface
- ◆ Supports firmware update through serial port and Ethernet
- ◆ BACnet MS/TP diagnostic LED
- ◆ Ethernet link and activity LED
- ◆ 100baseT connection
- ◆ BACnet MS/TP (RS-485) baud rate: 9.600, 19.200, 38.400, 76.800
- ◆ 12-35 V DC / 12-24 V AC supply voltage
- ◆ DIN-rail mountable

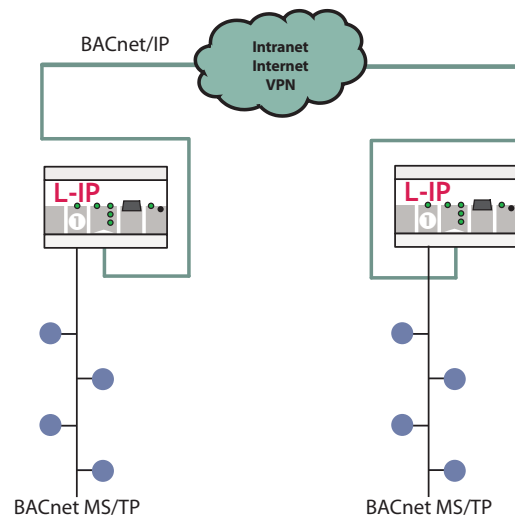


Description

The LIP-ME201 BACnet/IP Router connects a BACnet MS/TP channel to a BACnet/IP network. It routes BACnet packets back and forth through an IP based network, such as a LAN (Ethernet), an Intranet, or even the Internet.

The LIP-ME201 is compliant with the standards ASHRAE 135-2004 and ISO 16484-5. LIP-ME201 can be configured to act as a BACnet Broadcast Management Device (BBMD).

The L-IP connects to the IP network via a 100baseT Ethernet channel. The complete LIP-ME201 configuration can be performed through the built-in Web server using a standard Web browser.



Order Information

Order Number	Configuration
LIP-ME201	1 x BACnet MS/TP (RS-485) 1 x BACnet/IP (Ethernet)

LPA, L-Chip, L-Switch, L-IP, L-Proxy, L-VIS, L-INX, L-DALI, L-Gate, L-Core, LC3020 are trademarks of LOYTEC electronics GmbH. Other trademarks and trade names used in this document refer either to the entities claiming the markets and names, or to their products. LOYTEC disclaims proprietary interest in the markets and names of others.

LOYTEC reserves the right to make changes to these specifications without further notice for performance, reliability, production technique, and other considerations.