

LIP-ME201 BACnet IP to MS/TP Router

Installation instructions

Instructions de montage

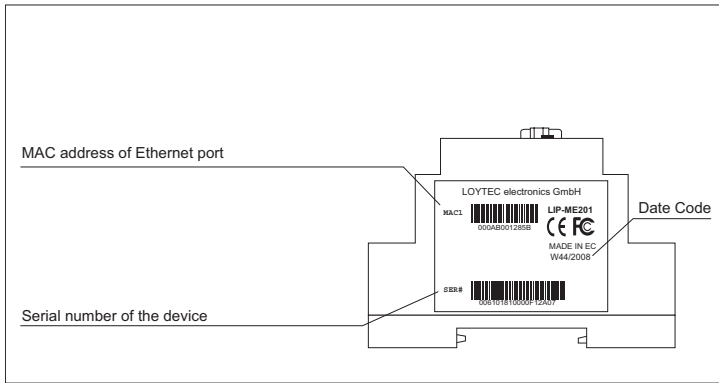
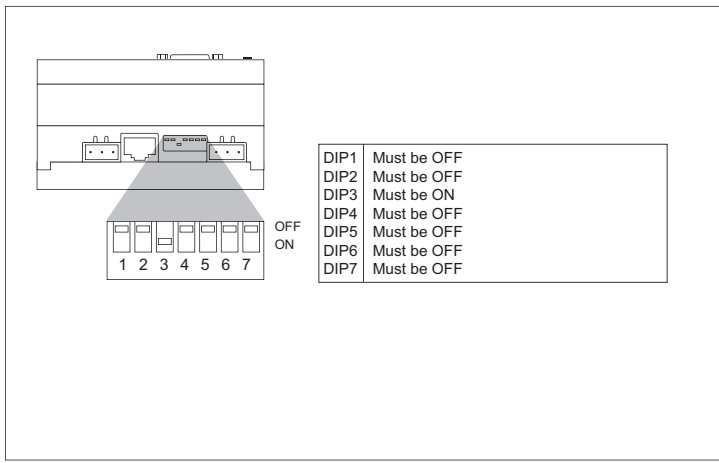
Instruzioni di montaggio

Montageanweisung

Instrucciones de montaje

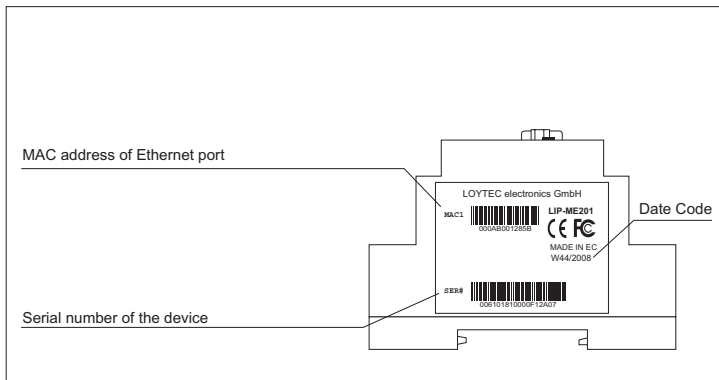
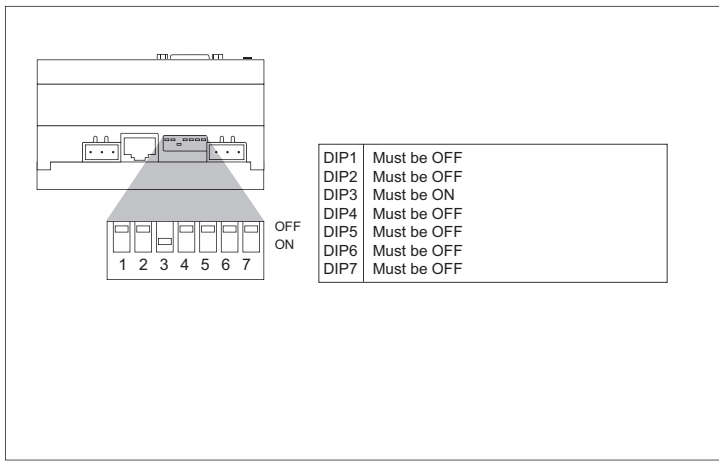
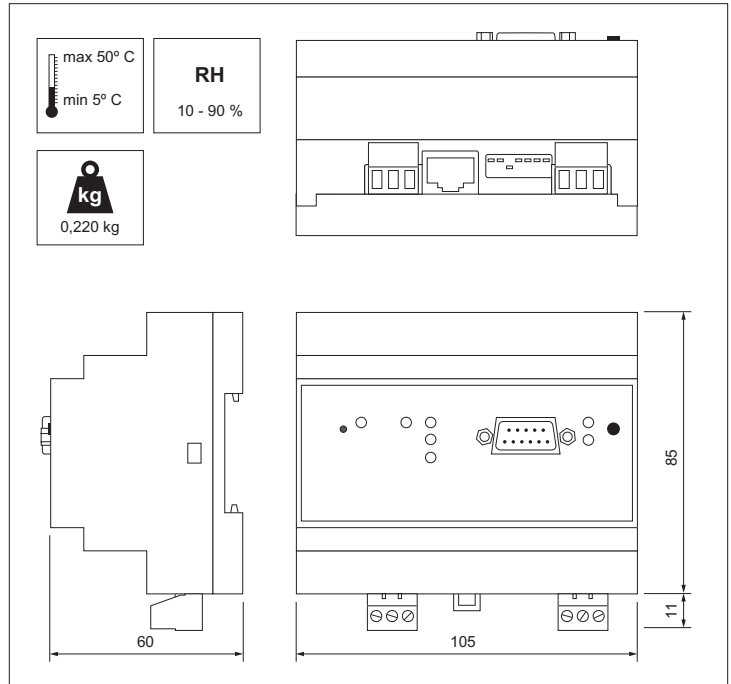
Montagevoorschrift

Monteringsanvisning



Document 88075401
09/2008
Printed in Austria
Data is subject to change

LOYTEC
<http://www.loytec.com>
support@loytec.com



Document 88075401
09/2008
Printed in Austria
Data is subject to change

LOYTEC
<http://www.loytec.com>
support@loytec.com

LIP-ME201 BACnet IP to MS/TP Router

Installation instructions

Instructions de montage

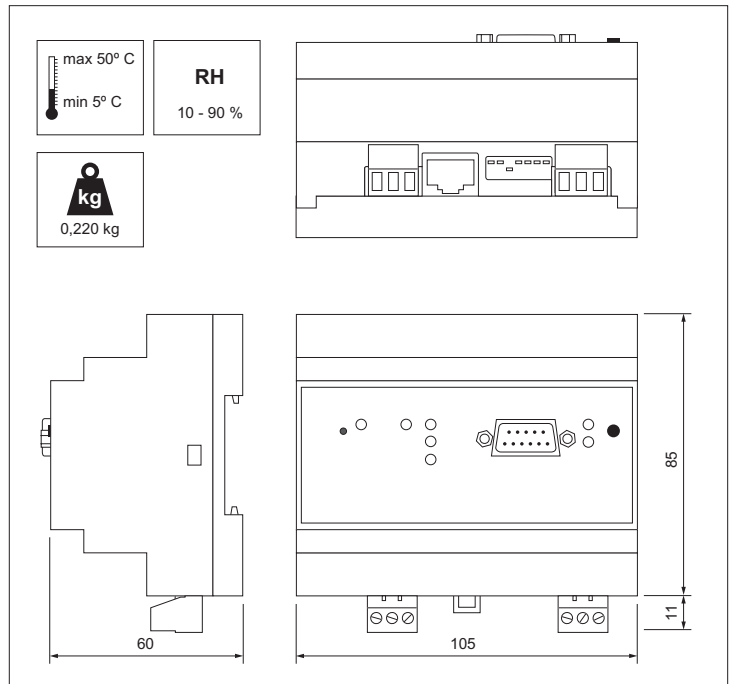
Instruzioni di montaggio

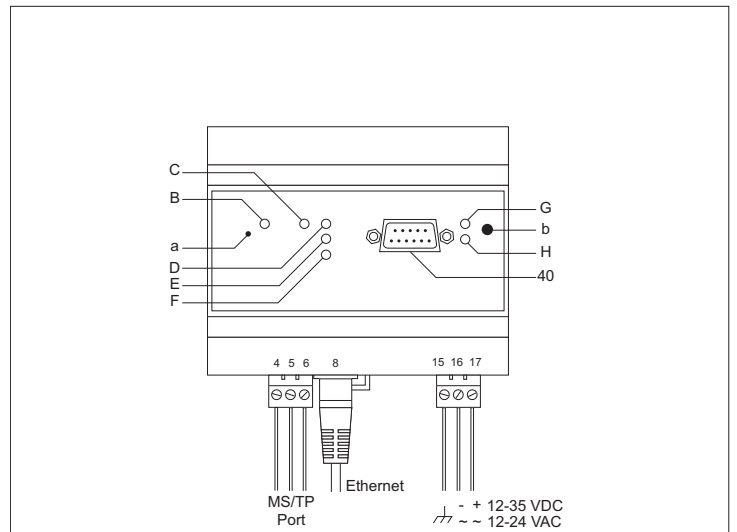
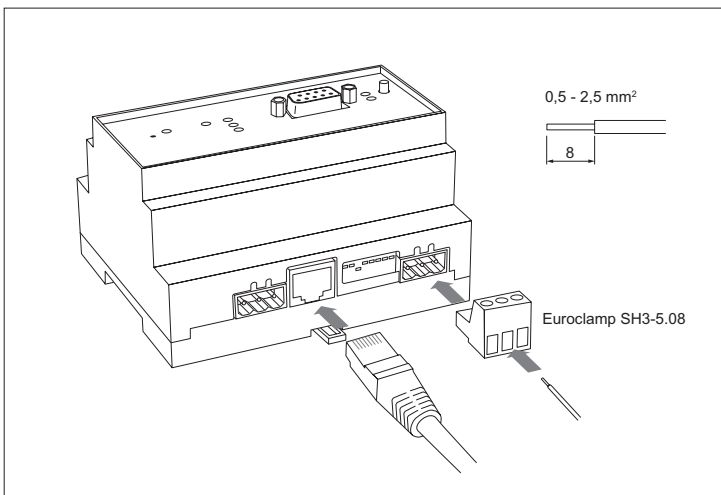
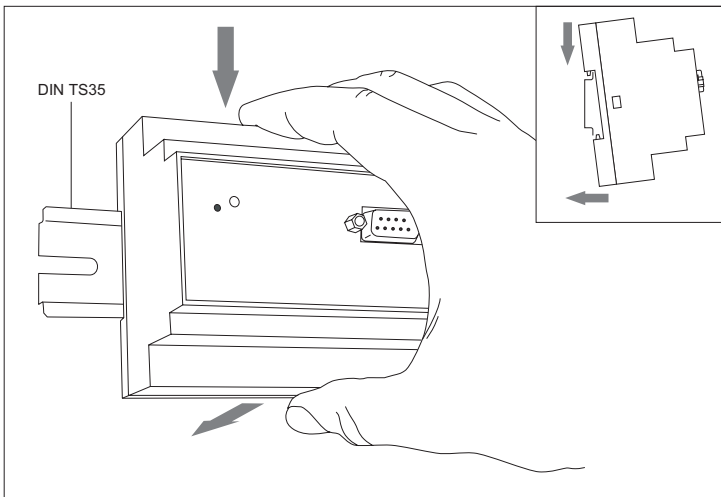
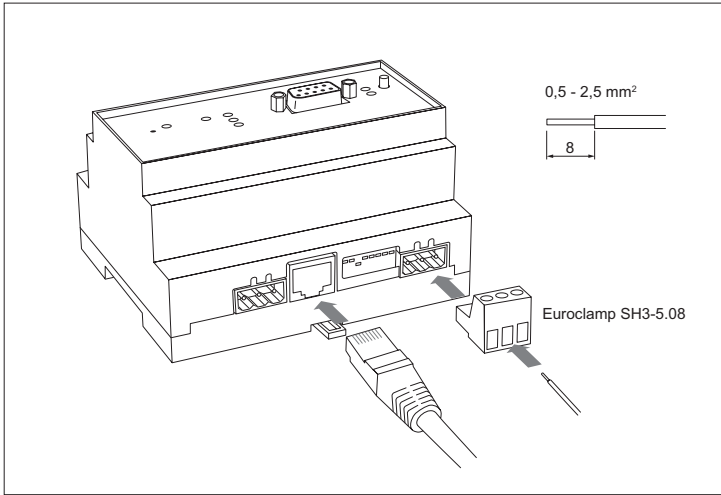
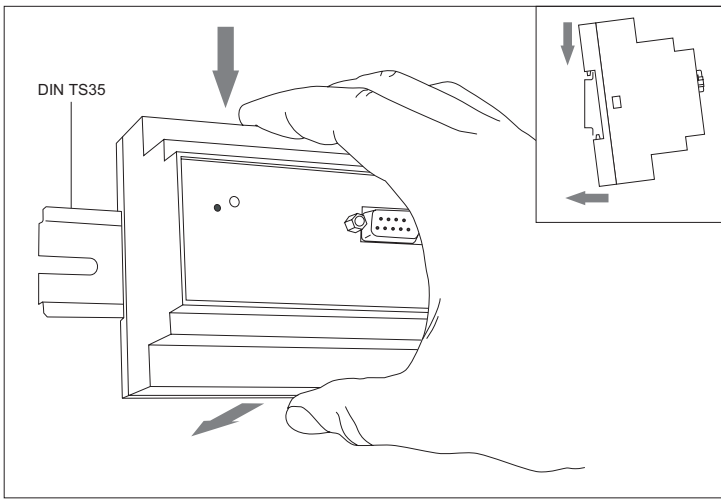
Montageanweisung

Instrucciones de montaje

Montagevoorschrift

Monteringsanvisning



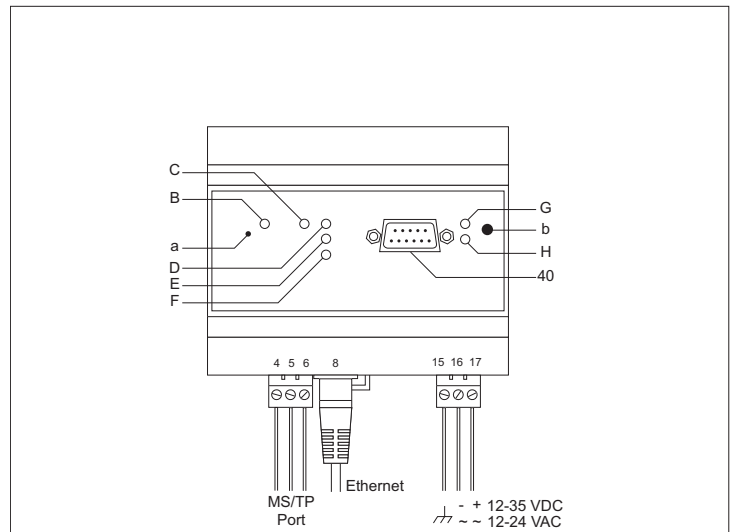


Status LEDs		
B	GREEN flashing	Traffic on BACnet MS/TP port
	ORANGE flashing	Sole master
	RED	Communication error
C	GREEN flashing	Traffic on BACnet IP port
D	GREEN	Ethernet link
E	GREEN flashing	Ethernet traffic
F	GREEN	BBMD enabled
G	GREEN	Power
H	OFF	Normal operation

Connectors	
4	MS/TP input GND
5	MS/TP input +
6	MS/TP input -
8	Ethernet 10/100 BaseT (RJ45)
15	Power supply input EARTH GND
16	Power supply input MINUS
	Can be connected to EARTH GND
17	Power supply input PLUS
	Must NOT be connect to EARTH GND
40	RS-232 interface (DB9 male)

NOTE: If terminal 4 is not connected make a short between terminal 15 and 16 and connect to EARTH GND

Buttons	
a	Reset
b	Send "I AM" message



Status LEDs		
B	GREEN flashing	Traffic on BACnet MS/TP port
	ORANGE flashing	Sole master
	RED	Communication error
C	GREEN flashing	Traffic on BACnet IP port
D	GREEN	Ethernet link
E	GREEN flashing	Ethernet traffic
F	GREEN	BBMD enabled
G	GREEN	Power
H	OFF	Normal operation

Connectors	
4	MS/TP input GND
5	MS/TP input +
6	MS/TP input -
8	Ethernet 10/100 BaseT (RJ45)
15	Power supply input EARTH GND
16	Power supply input MINUS
	Can be connected to EARTH GND
17	Power supply input PLUS
	Must NOT be connect to EARTH GND
40	RS-232 interface (DB9 male)

NOTE: If terminal 4 is not connected make a short between terminal 15 and 16 and connect to EARTH GND

Buttons	
a	Reset
b	Send "I AM" message