

L-IP redundant LIP-xxECRB EIA-709/IP Router

Installation instructions

Instructions de montage

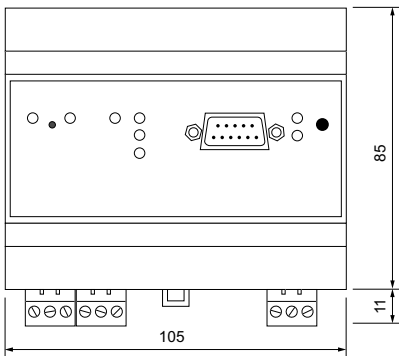
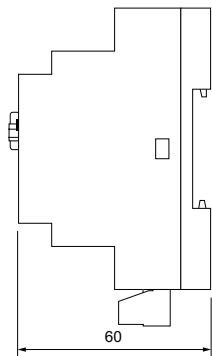
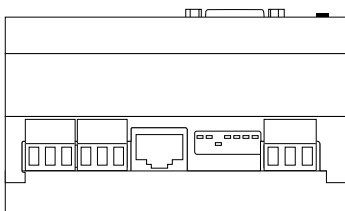
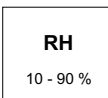
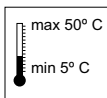
Montageanweisung

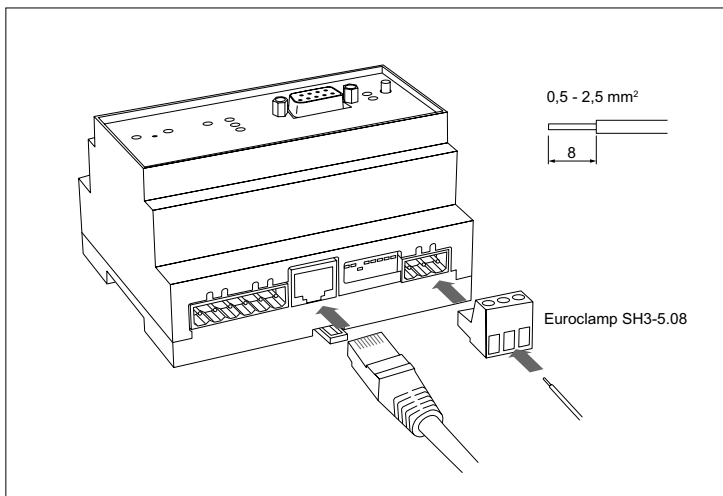
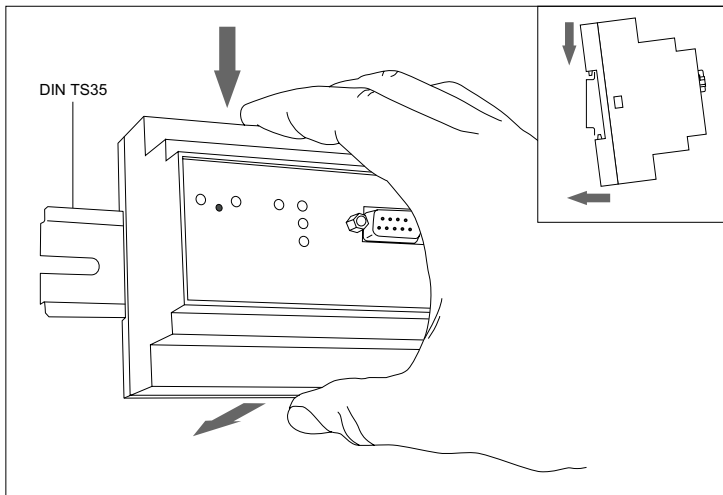
Montagevoorschrift

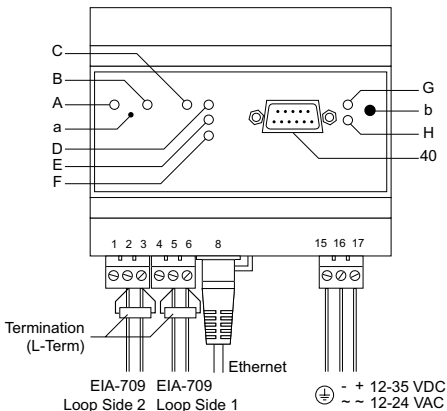
Istruzioni di montaggio

Instrucciones de montaje

Monteringsanvisning







Status LEDs

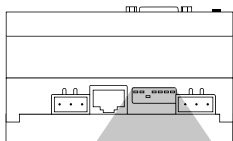
A	GREEN OFF ORANGE RED	Device is active Device is inactive (standby) Problem with twin router Device is inactive due to error
B	GREEN flashing fast GREEN flashing at 1 Hz RED permanent RED flashing fast	Traffic on EIA-709 loop Port not commissioned EIA-709 port damaged Loop open/Traffic overload
C	GREEN YELLOW RED	IP port is fully functional IP port functional but config. is not up-to-date IP port is non-functional
	Flashing at 1Hz OFF	IP port not commissioned IP port not active
D	GREEN	Ethernet link
E	GREEN flashing	Ethernet traffic
F	GREEN	Config. server enabled
G	GREEN	Power
H	OFF	Normal operation

Connectors

1	Do not connect
2	EIA-709 input B loop side 2
3	EIA-709 input A loop side 2
4	EIA-709 input EARTH GND
5	EIA-709 input B loop side 1
6	EIA-709 input A loop side 1
8	Ethernet 10/100 BaseT (RJ45)
15	Power supply input earth ground
16	Power supply input MINUS
17	Power supply input PLUS
	⚠ Do not connect to GND
40	RS-232 interface (DB9 male)

Buttons

a	Reset
b	Send service pin message



OFF
ON

DIP3	Function (RS-485 version only)
ON	Bit-rate auto detection on
OFF	Bit-rate auto detection off

DIP1	Must be OFF
DIP2	Must be OFF
DIP4	Must be OFF
DIP5	Must be OFF
DIP6	Must be OFF
DIP7	Must be OFF

Node ID of router on EIA-709 Port

Node ID of monitoring node on EIA-709 Port

Virtual (Node) ID of router on EIA-852 port (Ethernet)

MAC address of EIA-852 Ethernet port

Serial number of the device

